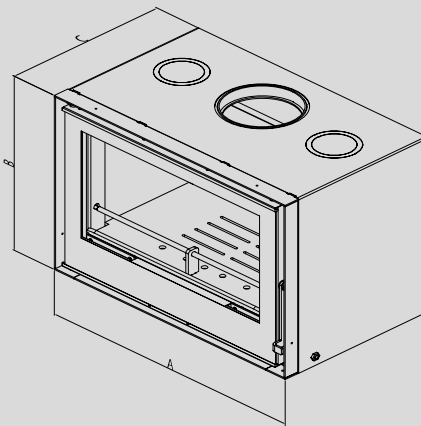


CRISTAL 88



CRISTAL 88



880(a)X552(b)X477(c)



9,0



79



200



A



2,5



145