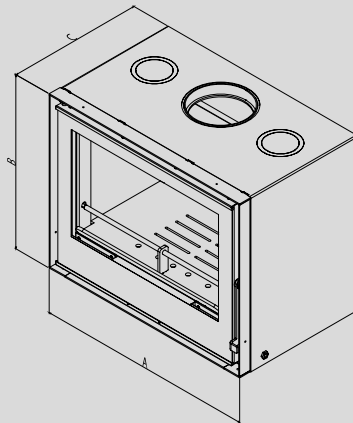


CRISTAL 69



CRISTAL 69



690(a)X548(b)X427(c)



8,0



83



180



A+



2



110